

# C100W Obstruction light



## C100W Medium Intensity Obstruction Light - White

The focus of COLOZUZ business is to keep lighting for safety with innovative products and services in order to support the growing mobility needs of society. Our mission is to help our customers increase safety with high quality and environmentally friendly solutions while providing a well balanced cost.

### FEATURES AND BENEFITS

- 5 years warranty
- Designed to replace standard incandescent lighting fixtures installed on chimneys, wind power plants, radio masts, etc.
- 4 Composite structure with high ingress protection rating (IP 65).
- Designed to operate in continuous and flashing mode.
- Low energy consumption of up to 8W.
- Low weight, less than 7 kg.
- No EMI/RFI interference.
- Long service life - estimated at 100,000 hours,
- High vibrations and shocks resistance.
- Easy installation on the supporting structure of the gallery (optional).
- Integrated T2 type (40 kA) overvoltage protection C-100W.
- White light color

# C100W Obstruction light



## APPLICATION

C-100-W medium intensity lighting fixture is designed to provide easy installation under severe altitude conditions while maintaining the quality and performance standards of obstruction lighting. The beacon may be used in every type of electrical obstruction light installation. The beacon is used for marking tall structures preventing risk in air traffic (of over 45 m in height), warning white light colored, utilizing the LED based FAA L864 unit. The medium intensity lighting fixture is built with the use of state-of-the-art technologies. This compact-built and efficient L864 beacon is designed as a highly-competitive solution for obstruction lighting products which emit a highly-focused beam of light (minimum scattering angle). This obstruction lighting beacon features a resilient composite structure with high ingress protection rating (IP 65). Its low power consumption allows for a substantial reduction of operating costs. Owing to its reliability and capability to operate under severe operating conditions, the unit requires no maintenance for many years.

## OBSTRUCTION LIGHT DRIVER

The C-100-W tube flashes can be controlled in three ways. The priority in the flash control signal is controlled by GPS (Global Positioning System). The use of such a solution causes the synchronous "flashing" lights, no matter the weather or the distance of each lamp. The second option is to control by "S" line signal. In this case the signal is fed from the generator to the built-in switching power. A third possibility is a situation where the lamp is not receiving a signal from GPS or from the "S" line. It is a safe mode, and is attached from the generator automatically after about 20 seconds after loss of GPS signal or the line "S". Switching the lamp in emergency mode it makes the flashes are still generated (from the lamp itself), but they are not synchronous with each other.

# C100W Obstruction light



## OPERATING CONDITIONS

The C-100-W medium intensity obstruction light beacon is designed to ensure maximum durability under severe operating conditions experienced around the world. Permissible operating conditions: temperature range: -55°C to +55°C, direct sunlight (high UV resistance), ingress protection rating: IP 65, resistant to acid media.

## MATERIALS

The stainless body of this type of medium intensity beacon is made of resistant light metal alloy with anti-corrosion protection. The dome is made of toughened UV resistant glass. The parts of the unit are held together using A4 alloy steel elements to provide a structure with IP 65 ingress protection.

# C100W Obstruction light



## SPECIFICATION

- Lot number C-100-W (beacon, controller, cable)
- Maximum weight 7kg
- Package dimensions (controller, beacon, and cable) 35x35x30[cm] x2

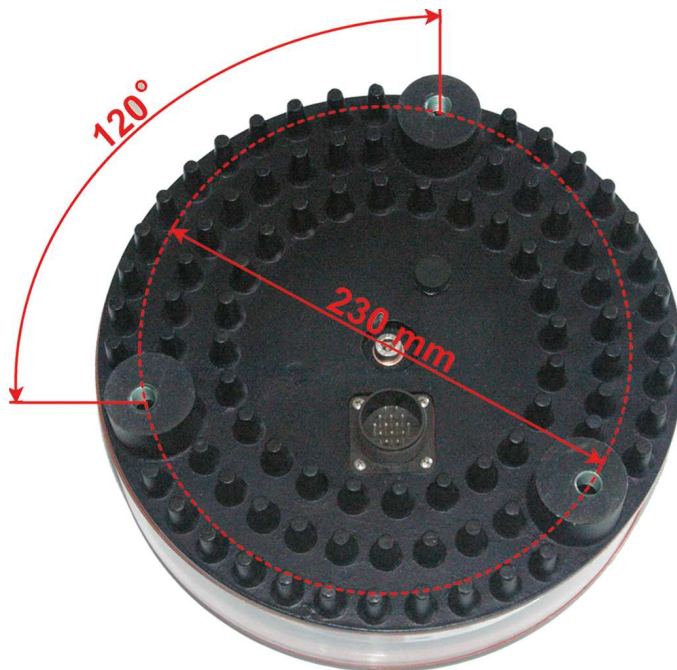
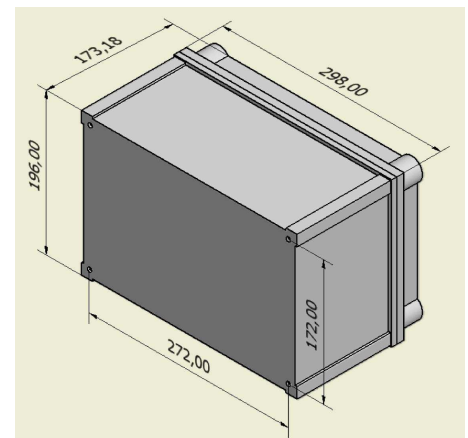
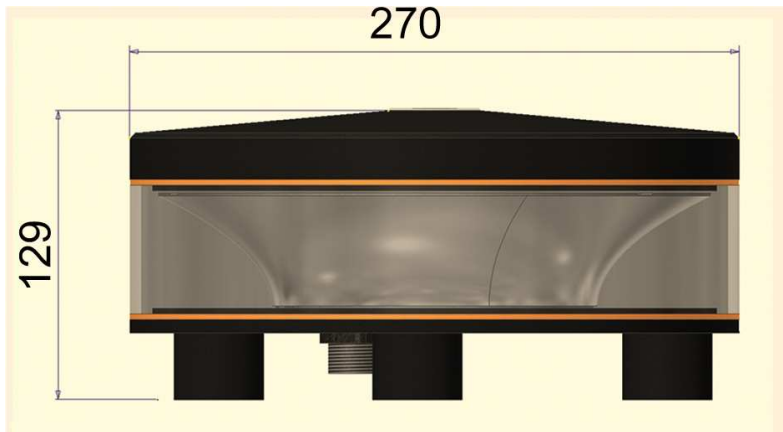
The unit utilizes a quick-release coupling with IP 65 ingress protection rating to ensure easy installation of the beacon on tall structures. This solution allows for elimination of junction boxes. The design of the beacon incorporates class II overvoltage protection (formerly class C, 40kA).

Series	Voltage [V]			Current [A]		
	Min	Typ	Max	Min	Typ	Max
C-100W						
90-260 VAC	90	230	260	0,03	0,04	0,09

# C100W Obstruction light



## DIMENSIONS



# C100W Obstruction light



# C100W Obstruction light

